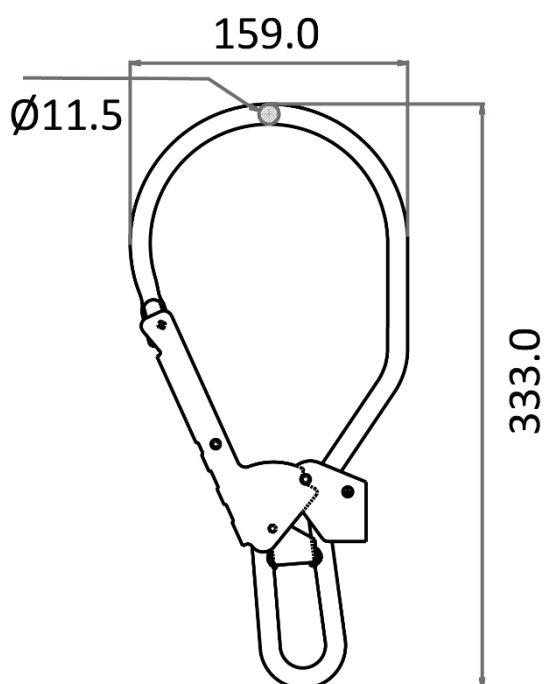








FA 50 213 80



REF.	FA 50 213 80
CE	EN 362:2004 Class T
	23 kN / 85 mm
MAT.	
	DOUBLE ACTION
KEYLOCK	---
+	---
	0.84 KG



MAT.



Résistance à la rupture / Ouverture
Breaking strength / Gate opening
Resistencia a la ruptura / Apertura
Resistenza alla rottura / Apertura
Bruchfestigkeit / Öffnung

Matière
Material
Material
Materia
Material

Type d'ouverture
Opening system
Tipo de apertura
Sistema di apertura
Öffnungssystem

HS CODE
73269098
CARTON SIZE / PCS.
39x28x23/20
AET (EU) N°2777/10756-01/E01-01
Satra Technology Europe Ltd., N° 2777, Bracetown Business Park, Clonee, Dublin, D15YN2P, Ireland
MODULE D FI14/14003.02
SGS Fimko Oy, N°0598 Takomotie 8, 00380 HELSINKI, Finland